

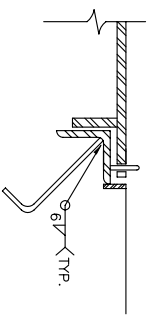
1 ACCESS HATCH COVER
C0005 C0006 1 : 20

2 HATCH BOLT-DOWN
C0005 C0006 1 : 5
- SCREWS TO BE GREASED AND CAST IN PLACE PRIOR TO POURING CONC.

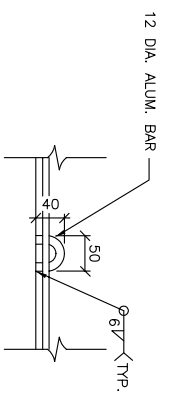
3 HATCH HANDLE
C0005 C0006 1 : 5

4 HATCH HINGE
C0006 C0006 1 : 5

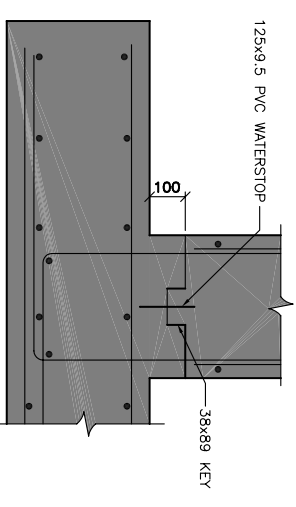
5 HATCH LOCK
C0005 C0006 1 : 5



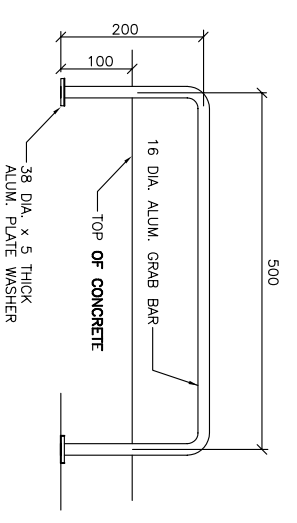
6 HATCH LOCK SECTION
C0006 C0006 1 : 5



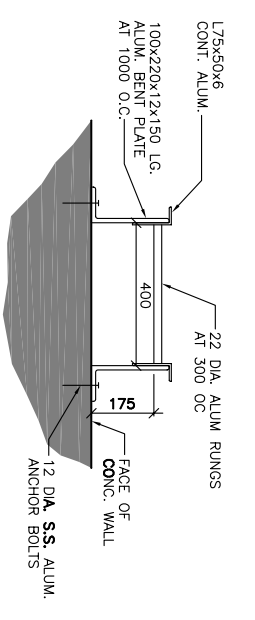
7 HATCH LOCK SECTION
C0006 C0006 1 : 5



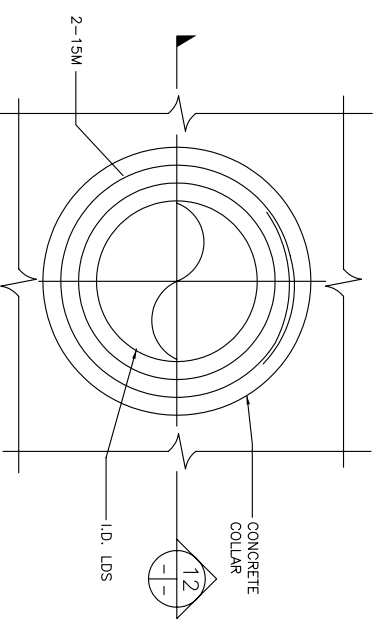
8 CONSTRUCTION JOINT
C0005 C0006 1 : 5



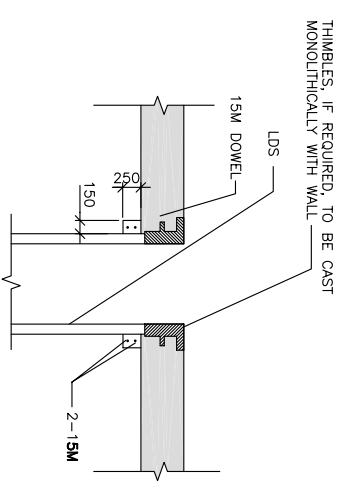
9 GRAB BAR
C0005 C0006 1 : 5



10 LADDER
C0005 C0006 1 : 5



11 PIPE COLLAR SECTION
C0005 C0006 1 : 5



11 PIPE COLLAR SECTION
C0006 C0006 1 : 40

DESIGNED	DNB	CHECKED		CITY DRAWING NUMBER	LD-2979
DRAWN	GMD	APPROVED		SHEET	6 OF 7
HR. SCALE:	AS NOTED	RELEASED FOR CONSTRUCTION		THE CITY OF WINNIPEG PLANNING, PROPERTY & DEVELOPMENT DEPARTMENT FAIRFIELD PARK LOCAL IMPROVEMENT DISTRICT STORMWATER RETENTION BASIN EXCAVATION, OUTFALLS & ASSOCIATED WORKS STORMWATER RETENTION BASIN OUTLET CONTROL STRUCTURE DETAILS	
NO. REVISIONS		DATE	BY	CONSULTANT DRAWING NO.	C00006
0	ISSUED FOR TENDER	03.12.09		0312940900-DWG-C0006	
-	ISSUED FOR APPROVAL	03.12.09			

